

# Cam-Lok® Standard Series



All Cam-Lok part numbers available in convenient, single-use, color-coded packaging.

INSULATED RECEPTACLES			
	COLOR	MALE COMPLETE PART NO.	FEMALE COMPLETE PART NO.
DOUBLE SET-SCREW	BLACK	E1018-1700	E1018-1725
	RED	E1018-1702	E1018-1727
	GREEN	E1018-1704	E1018-1729
	WHITE	E1018-1705	E1018-1730
	BLUE	E1018-1706	E1018-1731
	BROWN	E1018-1707	E1018-1732
	ORANGE	E1018-1703	E1018-1728
	YELLOW	E1018-1701	E1018-1726



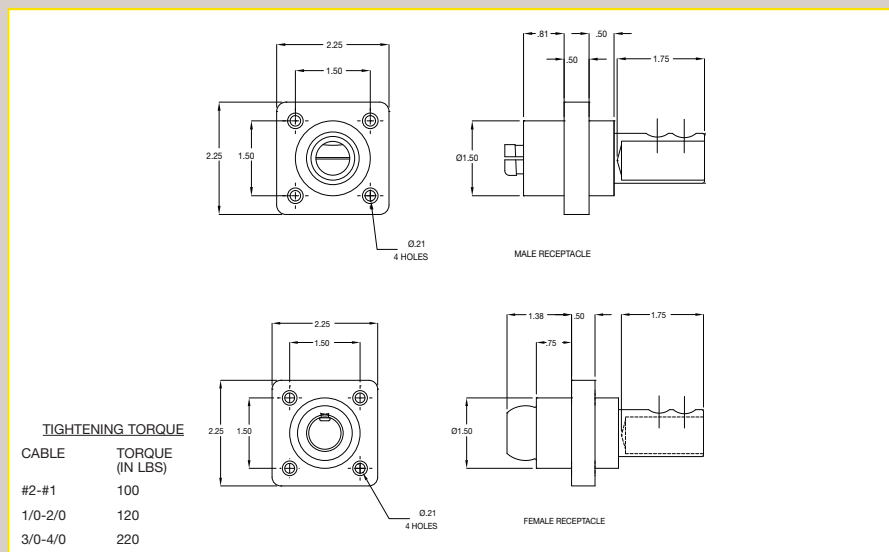
E1018-1700

THREE-FER TAPPING FEE 45° M-F-F-F	
COLOR	PART NO.
BLACK	E1018-9510
RED	E1018-9512
GREEN	E1018-9514
WHITE	E1018-9515
BLUE	E1018-9516
BROWN	E1018-9517
ORANGE	E1018-9513
YELLOW	E1018-9511



E1018-9510

E1018 Series



**CAM-LOK STANDARD SERIES "BALL NOSE" DESIGN RECEPTACLES AND PLUGS HAVE BEEN USED FOR YEARS IN SHIPYARDS, CONSTRUCTION SITES AND POWER PLANTS. THEY HAVE BECOME THE STANDARD BY THE BROADCAST INDUSTRY IN CANADA, AS WELL AS THE WELDING INDUSTRY IN THE UNITED STATES.**

**RATINGS: 600 VOLTS UP TO 400 AMPERES CONTINUOUS**

**STANDARD MATERIALS**  
**CABLE SIZE: #2 - 4/0**  
**RECEPTACLE BODY: TPE**  
**TAPPING TEE BODY: SYNTHETIC RUBBER**  
**CONTACT: BRASS**

**AGENCY APPROVALS**  
**CSA CERTIFIED LR13963**

**ENVIRONMENTAL RATING: NEMA 3R**